



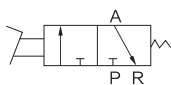
Specifications

Model	FV320	FV420
Fluid	Air(to be filtered by 40 μm filter element)	
Valve type	3/2 Way	4/2 Way
Operating	Direct drive type	
Port size ①	06: PT1/8	08: PT1/4
Proof pressure	0~0.8MPa(0~114psi)	
Temperature °C	-5~60(28~140° F)	
Lubrication	Not required	

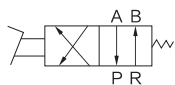
① PT thread, G thread and NPT thread are available.

Symbol

FV320



FV420

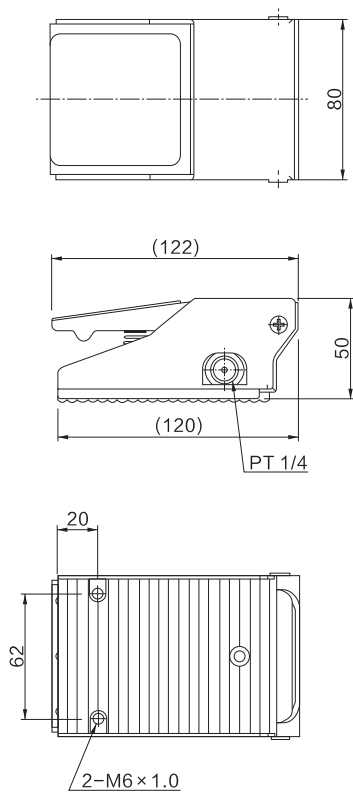


Ordering code

FV		320	08
Model		Position number	Port size
FV	Foot Pedal Valve (3/2 Way, 4/2 Way)	320 3/2 Way	06 1/8"
		420 4/2 Way	08 1/4"

Dimensions

FV320



FV420

