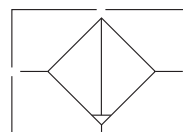


## Symbol



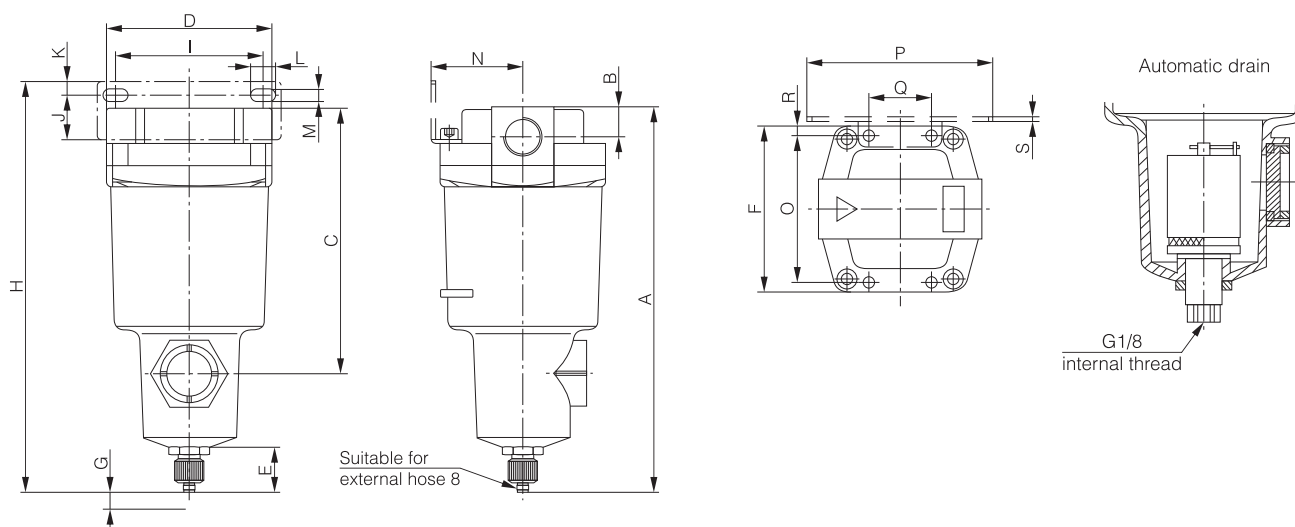
## Ordering code

<b>AFF</b>		<b>350</b>		<b>04</b>		<b>D</b>	
<b>Series</b>		<b>Body size</b>		<b>Port size</b>		<b>Automatic drainer</b>	
AFF	Main line filter	350	G1/2	04	G1/2	D	Automatic drain
		550	G1	10	G1		
		650	G1½	14	G1½		

## Specification

Model	AFF350-04	AFF550-10	AFF650-14
Thread pipe	G1/2	G1	G1½
Rating flow (L/min)	1500	3700	6000
Max. working pressure	1.0MPa		
Min. working pressure	0.05MPa		
Operating temperature	-5~60°C(Not frozen)		
Filter precision	3µm(Removai 95%)		
Element lite	At press. Differential 0.1MPa		

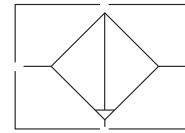
## Dimensions



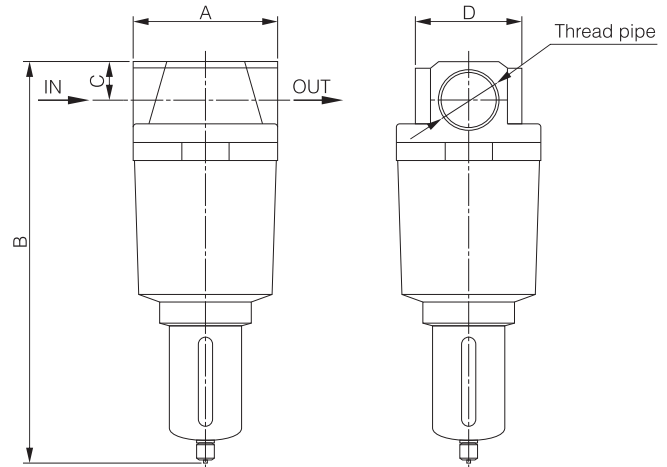
Model	Thread pipe	A	B	C	D	E	F	G	Installation size											
									H	I	J	K	L	M	N	O	P	Q	R	S
AFF350	G1/2	209	16	145	90	24	90	10	224	80	23	8	14	7	50	80	97	34	5	2.3
AFF550	G1	265	22	200	122	24	122	10	283	100	30	10	16	9	65	102	126	60	10	3.2
AFF650	G1½	315	32	253	160	24	160	10	336	150	38	15	20	11	85	136	180	76	12	4.5



### Symbol



### Dimensions



### Ordering code

<b>A</b>	<b>F</b>	<b>9</b>	<b>00</b>	<b>20</b>
Series	Function	Body size	Automatic drainer	Port size
F	Filter	8 G1½	00 No automatic drain	15 G1½
		9 G2	11 Automatic drain	20 G2

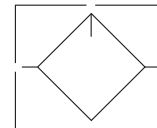
### Specification

Model	AF800-15	AF900-20
Thread pipe	G1½	G2
Rating flow (L/min)	12000	20000
Max. working pressure	1.0MPa	
Operating temperature	-5~60℃(Not frozen)	
Filter precision	5µm 2~50µm	0.3µm(Removal 95%)
Protective cover	Yes	

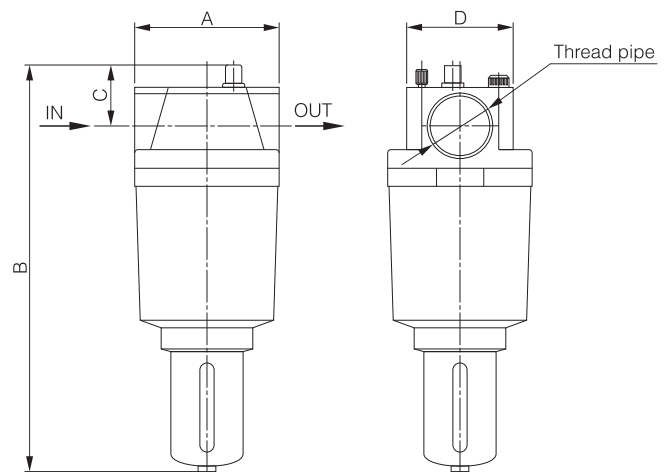
Model	Thread pipe	Standard Specification			
		A	B	C	D
AF800-15	G1½	120	331	31.5	88
AF900-20	G2	200.5	517.5	47	91

## AL Series Big Flow Lubricator

### Symbol



### Dimensions



### Ordering code

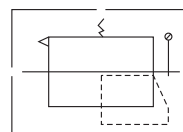
<b>A</b>	<b>L</b>	<b>900</b>	<b>20</b>
Series	Function	Body size	Port size
L	Lubricator	800 G1½	15 G1½
		900 G2	20 G2

### Specification

Model	AL800-15	AL900-20
Thread pipe	G1½	G2
Max. working pressure	1.0MPa	
Operating temperature	-5~60℃(Not frozen)	
Min. flow of oil drop (L/min)	650	1800
Recommended oil	Turbine NO.1 oil ISO VG32	
Protective cover	Yes	

Model	Thread pipe	Standard Specification			
		A	B	C	D
AL800-15	G1½	120.5	318	47	91
AL900-20	G2	120.5	338	58	91

### Symbol



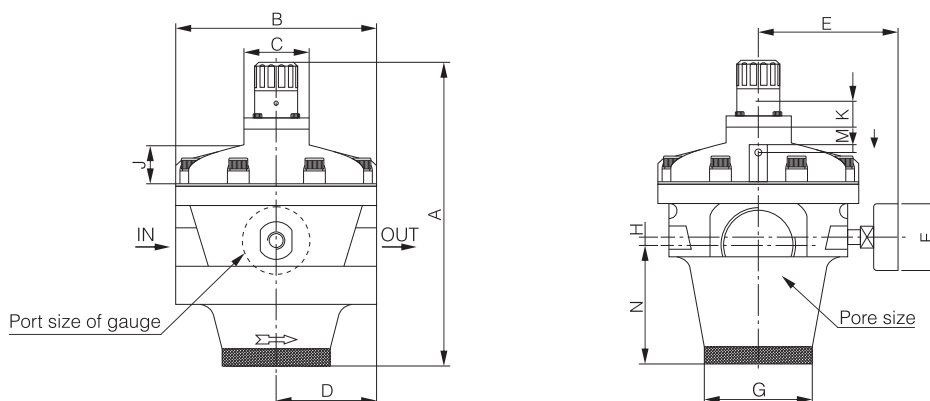
### Ordering code

<b>A</b>	<b>R</b>	<b>925</b>	<b>20</b>
Series	Function	Body size	Port size
	R   Regulator	825   G1½	15   G1½
		925   G2	20   G2

### Specification

Model	AR825-15	AR925-20
Thread pipe	G1½	G2
Rating flow (L/min)	12000	20000
Max. working pressure	1.0MPa	
Ensured pressure resistance	1.5MPa	
Operating temperature	-5~60℃(Not frozen)	
Structure	Inter pilot and overflow venthole	
Adjustable pressure range	0.5~0.85MPa	
Gauge	G46-10-02	

### Dimensions



Model	Thread pipe	Thread pipe of gauge	Standard Specification											
			A	B	C	D	E	F	G	H	J	K	M	N
AR825-15	G2	G1/4	241	160	52	80	100	53	86	5.5	30	20	6.4	94.5
AR925-20	G1½	G1/4	210	126	52	83	95	53	70	6.5	30	20	6.4	60.5