

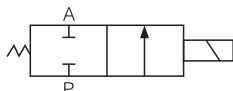


Specifications

Item	Parameter	
Operating	Water, Weak acid & alkali	
Operation	Direct Acting	
Acting type	Diaphragm type	
Pressure range	0~1.0MPa	
Operating perssure	1.0MPa(Normal open type Max. pressure 0.8MPa)	
Medium temperature	-5~80℃ for NBR, -5~150℃ for VITON, EPDM	
Ambient temperature	-5~60℃	
Installation	As required	
Voltage	AC380V, 220V, 110V, 36V, 24V	DC220V, 110V, 36V, 24V, 12V

Plastic capsulation coils and common coils available on request.

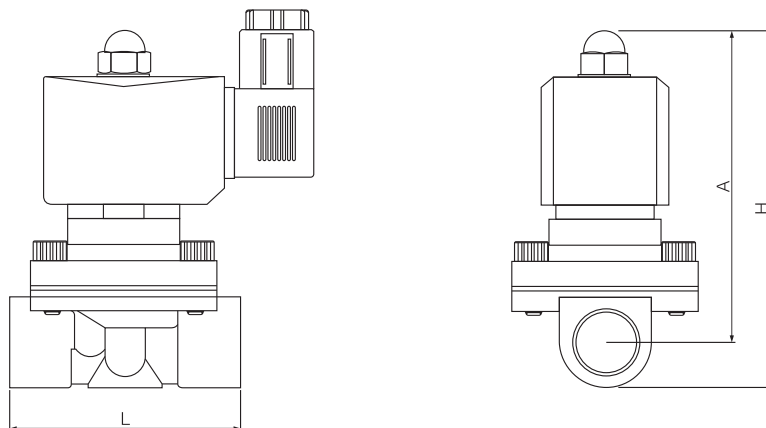
Symbol



Ordering code

2WB		160		15		E		Z		AC110V	
Model		Orifice size		Port size		Sealing material		Coil form		Standard voltage	
2WB	Stainless steel fluid solenoid valve	030	3mm	06	G1/8"	Blank	NBR	Z	EX-proof	DC12V	
		040	4mm	08	G1/4"	E	EPDM	Blank	Round coi	DC24V	
		160	16mm	10	G3/8"	V	VITON	S	IP65 Square coil	AC24V	50Hz/60Hz
		200	20mm	15	G1/2"	S	SI	A	Water-proof	AC110V	50Hz/60Hz
		250	25mm	20	G3/4"			F	Flang connection	AC220V	50Hz/60Hz
		350	35mm	25	G1"			NC	Normally close	AC380V	50Hz/60Hz
		400	40mm	35	G1 1/4"			NO	Normally open		
		500	50mm	40	G1 1/2"						
				50	G2"						

Dimensions



Model	Port size (mm)	Orifice (mm)	CV Value	Pressure range(MPa)	Power		Overall size(mm)		
					AC(VA)	DC(W)	L	H	A
2WB-06	G1/8"	3	0.25	0~1.0	15	12	Φ35	76	65
2WB-08	G1/4"	3					Φ35	76	65
2WB-10	G3/8"	4	0.6		18	16	Φ44	88	75
2WB-10	G3/8"	16					68	110	96.5
2WB-15	G1/2"	16	4.8		18	16	68	110	96.5
2WB-20	G3/4"	20					70	117	101
2WB-25	G1"	25	12		18	24	98	125	105
2WB-35	G1 1/4"	35	24				115	160	136.5
2WB-40	G1 1/2"	40	29		28	24	122	170	141
2WB-50	G2"	50	48				166	192	157

Remark: The valve body is square when L is 35 and 44.