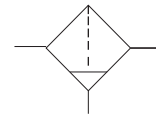


Symbol



Ordering code

Q	
Series cord	
Q	Q Series air treatment component

SL	
Function cord	
SL	Air filter

20	
Port size	
6	1/8"
8	1/4"
10	3/8"
15	1/2"
20	3/4"
25	1"
40	1 1/2"

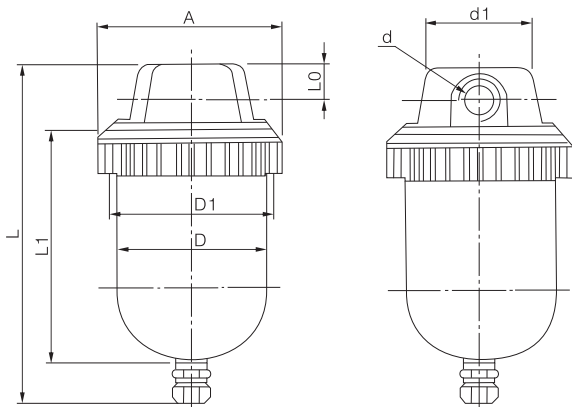
Specification

Model	QSL-6	QSL-8	QSL-10	QSL-15	QSL-20	QSL-25	QSL-40
Working temperature				5~60℃			
Nominal primary pressure				1.0MPa			
Filtrations				50-70μm			
Effective drain				≥ 85%			

Pressure Drop/Air Flow Rate Value

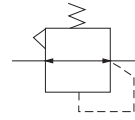
Model	When the Pressure-Reduction equals 5% of the primary pressure, the air flow rate shall not less than the following value .				
	Air Flow Rate(L/min)				
	Primary Pressure (Mpa)				
	0.25	0.4	0.63	0.8	1.0
QSL-6	200	290	450	360	680
QSL-8	450	720	1100	1460	700
QSL-10	760	1170	1620	2000	2340
QSL-15	1170	1460	2340	2700	3420
QSL-20	1700	2800	4000	4600	5400
QSL-25	2100	3420	5200	5800	6800
QSL-40	2500	4020	6400	7000	8200

Dimensions



Model	Port size d	A	ΦD	ΦD1	Φd1	L0	L1	L≈
QSL-6	PT1/8	90	70	88	55	15	114	160
QSL-8	PT1/4							
QSL-10	PT3/8							
QSL-15	PT1/2	115	90	112	65	23	152	234
QSL-20	PT3/4							
QSL-25	PT1							
QSL-40	PT1 1/2	130	90	130	92	34	228	310

Symbol



Ordering code

	Q
	Series cord
Q	Q Series air treatment component

	TY
	Function cord
TY	Regulator

	20
	Port size
6	1/8"
8	1/4"
10	3/8"
15	1/2"
20	3/4"
25	1"
40	1 1/2"

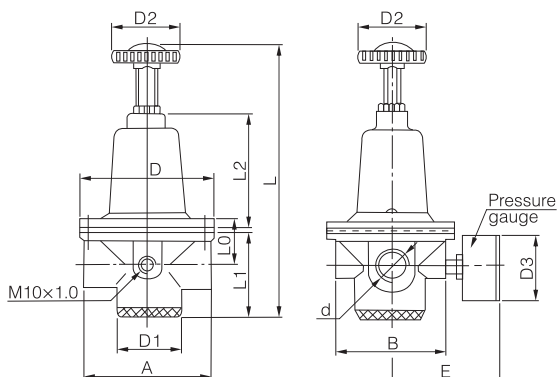
Specification

Model	QTY-6	QTY-8	QTY-10	QTY-15	QTY-20	QTY-25	QTY-40
Working temperature	5 ~ 60						
Nominal primary pressure	≤1.0Mpa						
Proof pressure	1.5Mpa						
Max. adjusted range	0-0.8Mpa						

Pressure Drop/Air Flow Rate Value

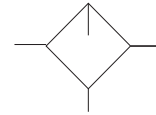
Model	When the Pressure-Reduction equals 5% of the primary pressure, the air flow rate shall not less than the following value .			
	Air Flow Rate(L/min)			
	Primary Pressure (Mpa)			
	0.25	0.4	0.63	0.8
QTY-6	100	120	160	190
QTY-8	680	770	860	900
QTY-10	720	860	1000	1100
QTY-15	900	1100	1200	1300
QTY-20	1650	1800	1980	2100
QTY-25	1900	2250	2450	2650
QTY-40	2150	4020	2920	3200

Dimensions



Model	Port size d	A	ΦD	ΦD1	ΦD2	ΦD3	L0	L1	L2	E	Lmax
QTY-6	PT1/8	80	64	80	40	58	16	52	69	80	173
QTY-8	PT1/4										
QTY-10	PT3/8										
QTY-15	PT1/2	80	64	80	40	58	21	58	69	80	181
QTY-20	PT3/4	108	105	120	50	58	30	78	108	100	250
QTY-25	PT1	136	104	120	50	58	40	100	108	100	280
QTY-40	PT1 1/2										

Symbol



Ordering code

	Q
	Series cord
Q	Q Series air treatment component

	IU
	Function cord
IU	Lubricator

	20
	Port size
6	1/8"
8	1/4"
10	3/8"
15	1/2"
20	3/4"
25	1"
40	1½"

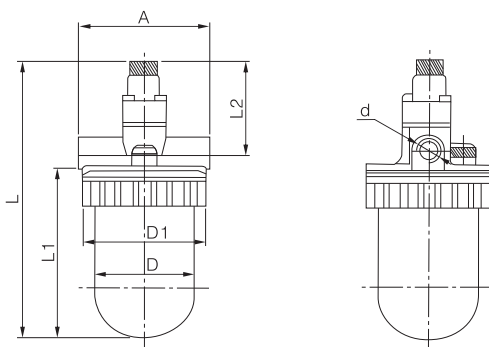
Specification

Model	QIU-6	QIU-8	QIU-10	QIU-15	QIU-20	QIU-25	QIU-40
Working Temperature							5 ~ 60
Max. Working Pressure							1.0Mpa
Oiling Pressure							≥0.1Mpa
Recommended Oil							ISO VG32

Pressure Drop/Air Flow Rate Value

Model	When the Pressure-Reduction equals 5% of the primary pressure, the air flow rate shall not less than the following value .				
	Air Flow Rate(L/min) Primary Pressure (Mpa)				
	0.25	0.4	0.63	0.8	1.0
QIU-6	70	90	120	180	220
QIU-8	75	140	220	240	300
QIU-10	120	190	300	400	470
QIU-15	140	350	480	630	650
QIU-20	350	750	1100	1400	1500
QIU-25	600	1200	1600	1800	2100
QIU-40	850	1650	2100	2200	2700

Dimensions



Model	Port size	A	ΦD	ΦD1	L1	L2	L ≈
QIU-6	PT1/8	90	70	88	114	69	173
QIU-8	PT1/4						
QIU-10	PT3/8						
QIU-15	PT1/2	115	90	110	115	74	250
QIU-20	PT3/4						
QIU-25	PT1						
QIU-40	PT1½	130	90	110	163	60	280