

Specifications

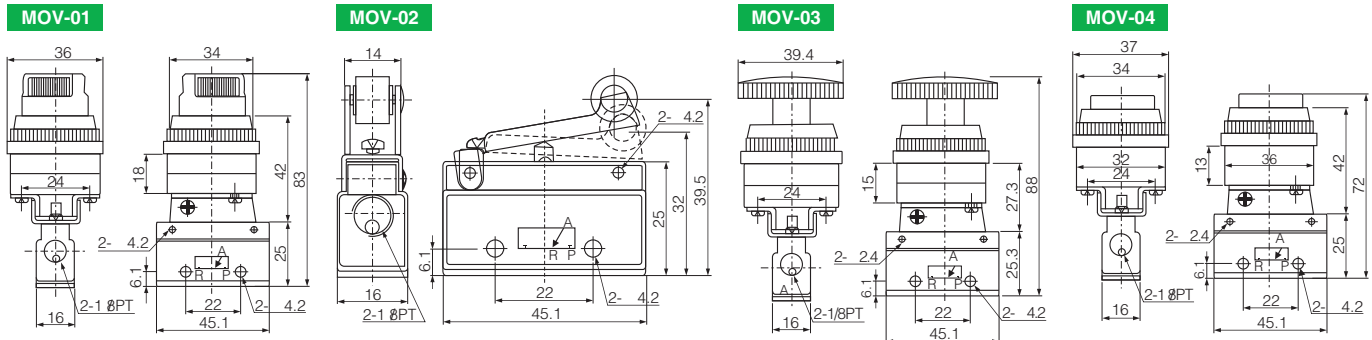
Model	MOV-01	MOV-02	MOV-03	MOV-04
Operating fluid	Air			
Position and way no.	Two-position Three-way			
Port size	G1/8"			
Working-pressure range	0~0.8MPa			
Operating temperature	0~70°C			



Ordering code

MOV		AC	
Model		Button type	
MOV	Mechanical valve	01	Selective knob
		02	Roller type
		03	With lock button
		04	Plat round button

Dimensions



JM Series Mechanical Valve

Specifications

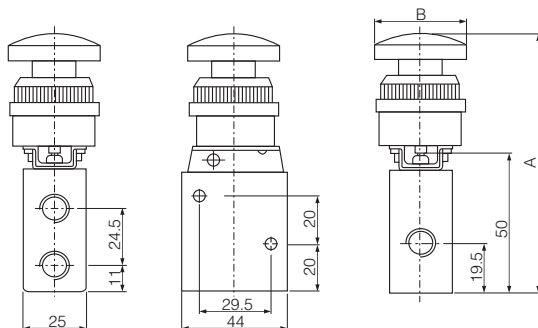
Model	JM-05	JM-06	JM-06A	JM-07
Working medium	40 Micron filtered air			
Position and way no.	Two-position Three-way			
Port size	G1/4"			
Working-pressure range	0~0.8MPa			
Operating temperature	0~60°C			



Ordering code

JM		05	
Model		Button type	
JM	Stop-type Mechanical valve	05	Selective Knob
		06	With Lock Button
		06A	Plat Round Button
		07	Roller Type

Dimensions



Specifications

Model	A	B
JM-05	114	36.5
JM-06	111	39.5
JM-06A	96	39.5
JM-07	84.5	42.5