

Accessories  
NAMUR-Adapter for Pilot Valve



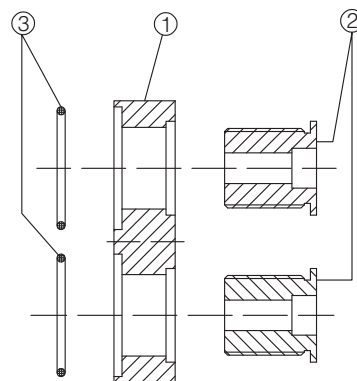
### Advantages / Benefits

1. Namur interface allows easy installation of pilot valve to actuator
2. Increased operational reliability when using the NAMUR pilot valves types 5/2 way 4M310-08

Technical Data

Mounting for NAMUR-Adapter

- 1 Plate
- 2 Hollow screw
- 3 O-rings



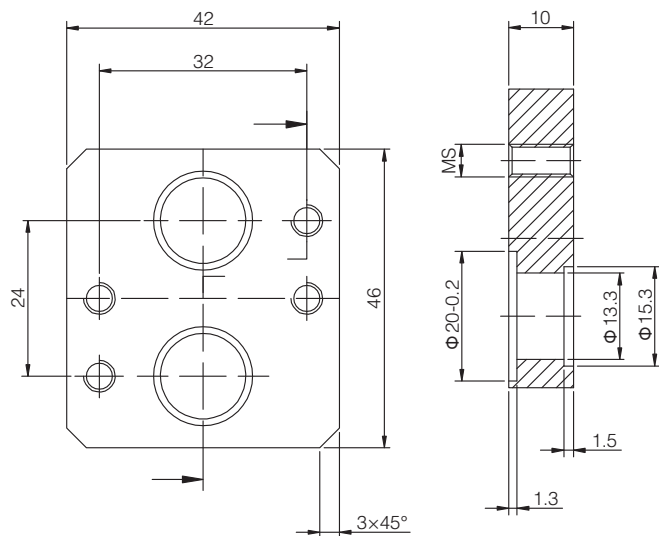
### Ordering code

NAA	
Model	
NAA	NAMUR-Adapter

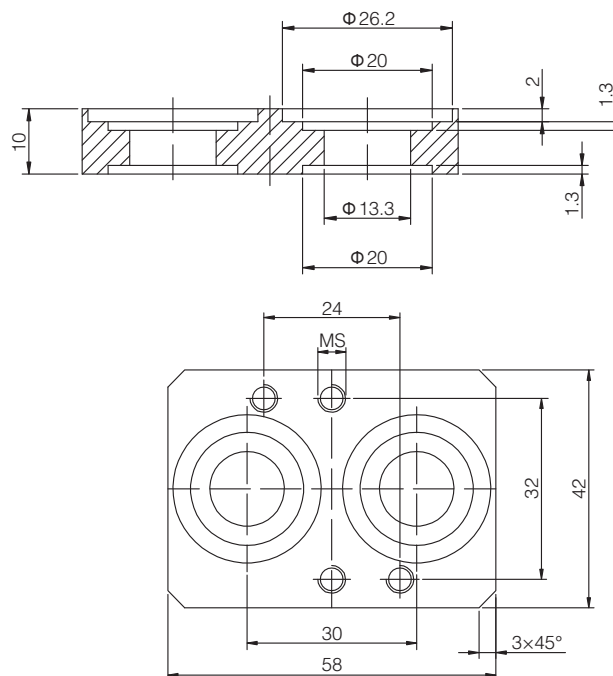
1	
Code	
1	Adapter for actuators: 50/63/80mm
2	Adapter for actuators: 100/125mm

### Dimensions

Adapter for actuators: 50mm, 63mm, 80mm



Adapter for actuators: 100mm, 125mm



#### Version 1

Namur-Adapter for Stroke actuator  
 Ø50 to 80 for angle seat and globe valve  
 Ø63 to 100 for diaphragm valve  
 NAMUR adapter for rotary actuator  
 Ø63 on request

#### Version 1

Namur-Adapter for Stroke actuator  
 Ø100 and 125 for angle seat and globe valve  
 Ø125 for diaphragm valve  
 NAMUR adapter for rotary actuator  
 Ø100