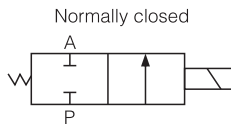




### Specifications

Model	KL2231001	KL2231002	KL2231003	KL2231004
Orifice size(mm)	1.5	2	3	4
Pipe thread	G1/8" or G1/4"			
Operating pressure	0~2.5	0~1.5	0~1.0	0~0.4
Operating temperature	-10~55°C			
Medium temperature	NBR: -5~80°C, EPDM: -5~120°C, VITON: -10~150°C			
Kv value(m³/h)	0.1	0.15	0.31	0.54
Coil power	AC(VA)	16		
	DC(W)	13		

### Symbol



### Product application

Direct acting brass valve block valve is fit for the neutral gas and liquid, e.g. compressed air, water, hydraulic oil and so forth with vacuum technology. It may easily change the coil with no need to remove the valve body. The coil may be fixed in the position of 4×90°. It may freely move between the two required points.

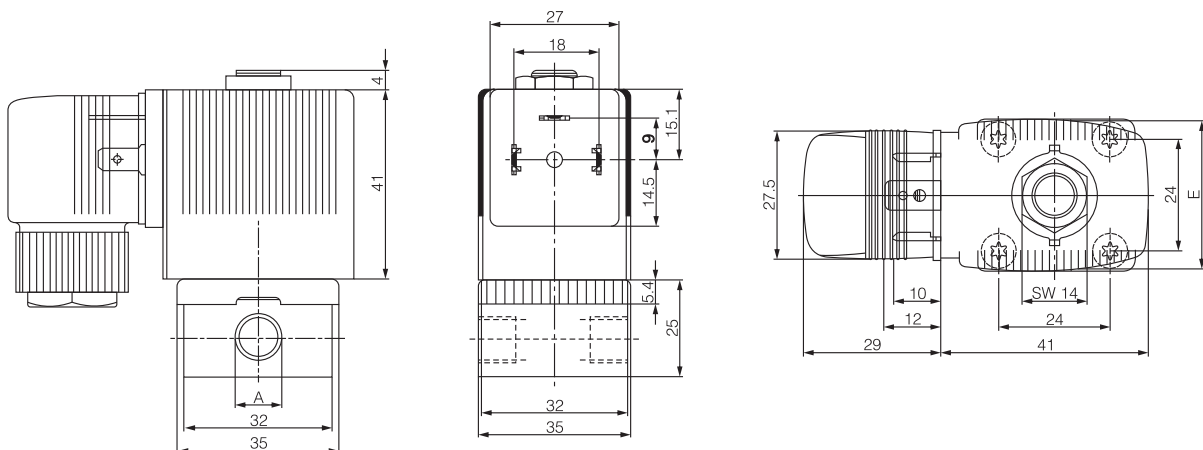
### Ordering code

KL22310		01	06	Z	E	AC110V	
Model		Orifice size	Port size	Coil form		Sealing Material	Standard voltage
KL223	Compact direct acting solenoid valve	01 1.5mm	06 G1/8"	Z	EX-proof	Blank NBR	DC12V
		02 2mm	08 G1/4"	Blank	Normal Coil IP65	E EPDM	DC24V
		03 3mm				V VITON	AC24V 50Hz/60Hz
		04 4mm				S SI	AC110V 50Hz/60Hz
							AC220V 50Hz/60Hz
							AC380V 50Hz/60Hz

### Technical Specification

Item	Explain
Pressure range	0~1.6MPa
Medium temperature	-10°C~+90°C
Operating temperature	Highest +55°C
Body material	Brass
Sealing material	VITON
Power consumption	DC: 8W AC: 24VA (Attraction) 17VA(Maintain)

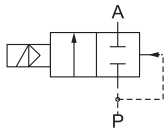
### Dimensions



## Specifications

Model	KL2231015	KL2231020	KL2231025	KL2231032	KL2231040	KL2231050
Orifice size(mm)	13	20	25	40		50
Port connection	G1/2"	G3/4"	G1"	G1¼"	G1½"	G2"
Operating pressure	0.03~1.0MPa			0.07~1.6MPa		
Ambient temperature	-10~55℃					
Medium temperature	-10~90℃					
Kv value(m³/h)	3.6	8.3	11	25	30	45
Power consumption	AC(VA)	14				
	DC(W)	8				
Frequency(Hz)	≥1	≥0.5		≥0.33		
Power, Voltage	AC: 50Hz 24V, 36V, 110V, 220V DC: 24V, 12V					

## Symbol



## Product feature

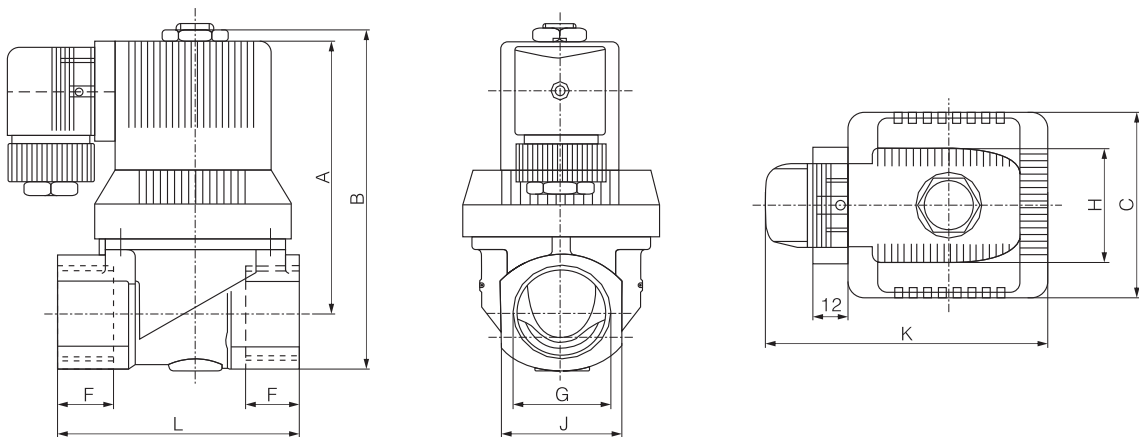
1. Media temperature up to 90℃.
2. Suitable for gas, water, oil, weak acid & alkali.
3. Waterhammer-free design, low noise.
4. Smooth running, high flow.
5. High reliability, long service life.
6. Coil: Encapsulation with thermoset plastics.
7. Electric connector with protection degree of IP65, complying with ISO standard, wide interchangeability.
8. Replace of the solenoid can make the valve explosion-proof.

Note: Specify the voltage and relative frequency for AC.

## Ordering code

<b>KL22310</b>		<b>15</b>	<b>E</b>	<b>Z</b>	<b>AC220V</b>
<b>Model</b>	KL223 2/2 Way diaphragm solenoid valve	<b>Port size</b>	<b>Sealing Material</b>	<b>Coil form</b>	<b>Standard voltage</b>
		15 G1/2"	Blank NBR	Z EX-proof	DC12V
		20 G3/4"	E EPDM	NO Normal open	DC24V
		25 G1"	V VITON	NC Normal close	AC24V 50Hz/60Hz
		35 G1¼"	S SI		AC110V 50Hz/60Hz
		40 G1½"			AC220V 50Hz/60Hz
		50 G2"			AC380V 50Hz/60Hz

## Dimensions



Model	G	C	F	L	J	A	B	H	K
KL2231015	G1/2"	45	16	52	27	82	96	40	80
KL2231020	G3/4"	45	16	63	31	82	96	40	80
KL2231025	G1"	65	18	82	41	96	117	40	90
KL2231032	G1¼"	96	20	132	58	112	145	40	132
KL2231040	G1½"	96	20	132	58	112	145	40	132
KL2231050	G2"	111	22	160	70	125	166	40	160