



Specifications

Item	Parameter	
Operating medium	Water, Weak acid & alkali	
Operation	Direct Acting	
Acting type	Diaphragm type	
Pressure range	0~1.0MPa	
Operation pressure	1.0MPa(Normal open type Max. pressure 0.8MPa)	
Medium temperature	NBR for -5~80°C and VITON for -5~150°C, EPDM	
Ambient temperature	-5~60°C	
Installation	As required	
Voltage	AC380V, 220V, 110V, 36V, 24V	DC220V, 110V, 36V, 24V, 12V

Ordering code

2WBF	
Model	
2WB	Stainless steel fluid with flange solenoid valve

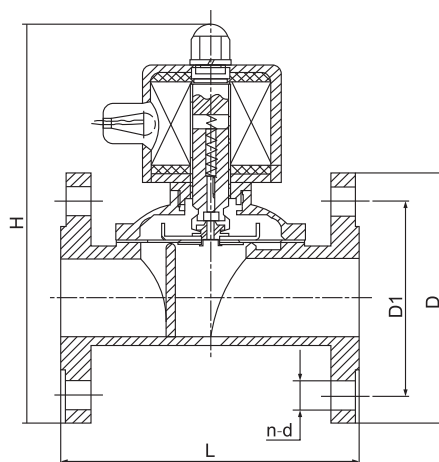
15	
Port size	
10	10mm
15	15mm
20	20mm
25	25mm
35	35mm
40	40mm
50	50mm

E	
Sealing material	
Blank	NBR
E	EPDM
V	VITON
S	SI

Z	
Coil form	
Z	EX-proof
Blank	Round coi
S	IP65 Square coil
A	Water-proof
NC	Normally close
NO	Normally open

AC110V	
Standard voltage	
DC12V	
DC24V	
AC24V	50Hz/60Hz
AC110V	50Hz/60Hz
AC220V	50Hz/60Hz
AC380V	50Hz/60Hz

Dimensions



Model	Orifice (mm)	CV Value	Pressure range(MPa)	Power	Dimension				
					H	L	D	D1	n-d
2WBF-15	16	4.8	0~1.0	14	145	115	95	65	4-Φ14
2WBF-20	20	7.6	0~1.0	14	155	115	105	75	4-Φ14
2WBF-25	25	12	0~1.0	14	166	135	110	85	4-Φ14
2WBF-35	35	28	0~0.7	50	205	148	135	100	4-Φ18
2WBF-40	40	28	0~0.7	50	218	160	145	110	4-Φ18
2WBF-50	50	48	0~0.7	50	228	202	156	125	4-Φ18