



Symbol



Ordering code

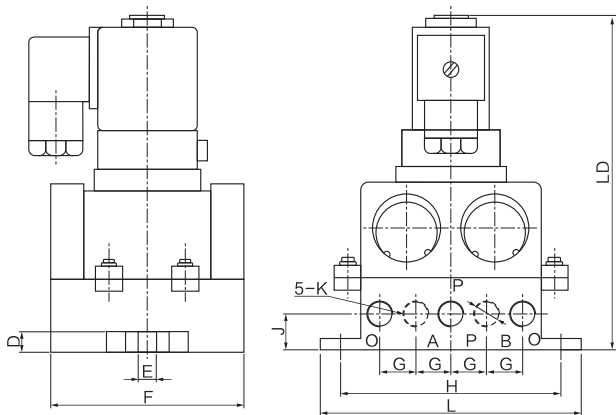
K25J		D	8
Model	Two position five way cut-off type reversing valve	Control mode	Port size
K25J		D Single electronic control	6 G1/8"
		Q Single air control	8 G1/4"
			10 G3/8"
			15 G1/2"
			20 G3/4"
			25 G1"

Specifications

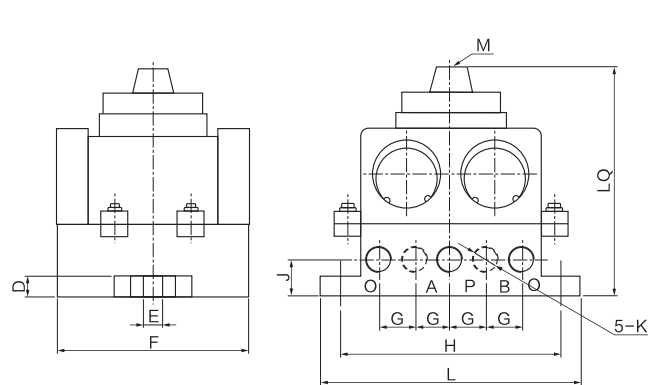
Model	K25JD-6 K25JQ-6	K25JD-8 K25JQ-8	K25JD-10 K25JQ-10	K25JD-15 K25JQ-15	K25JD-20 K25JQ-20	K25JD-25 K25JQ-25
Nominal diameter (mm)	6	8	10	15	20	25
Working pressure range	0.15~0.8MPa					
Amount of leakage (cm ³ /min)	≤10		≤25		≤50	
Commutation time (s)	≤0.06		≤0.08		≤0.12	
Commutation frequency (Hz)	≥10		≥8		≥5	
Ambient temperature	-10~55°C					
Medium temperature	-5~50°C					
Circulation capacity S value (mm ³)	≥10	≥20	≥40	≥60	≥120	≥190
Supply voltage	AC: 220V, 110V, 36V DC: 48V, 24V, 12V Voltage fluctuation allowed for the rated value +10%~-15% Air control without this parameter					
Control pressure	≥0.2MPa					
Life (1000 times)	≥1500					

Dimensions

K25JD



K25JQ



Model	Port size	D	E	F	G	H	L	J	LD	LQ	M
K25JD-6	G1/8"(M10×1)	8	7	75	14	85	102	14	136	90	G1/8
K25JQ-6						90					
K25JD-8	G1/4"(M12×1.25)	6	10	108	19	116	138	19	151	100	
K25JQ-8						120					
K25JD-10	G3/8"(M16×1.25)	12	13	160	30	180	208	30	220	150	
K25JQ-10											
K25JD-15	G1/2"(M20×1.5)	10	13	160	30	180	208	30	220	150	
K25JQ-15											
K25JD-20	G3/4"(M20×1.5)	12	13	160	30	180	208	30	220	150	
K25JQ-20											
K25JD-25	G1"(M33×2)	12	13	160	30	180	208	30	220	150	
K25JQ-25											