



Symbol



Product feature

1. The structure is delicate and compact, which is convenient for installation and application.
2. The pressed-in self-locking mechanism can prevent the abnormal movement of the set pressure caused by external interfere.
3. In addition to standard type, lower pressure type is optional(The highest adjustable pressure is 0.4MPa).

Ordering code

AR		2000		L		1		1	
Model		Type code		Pressure gauge		Thread type			
AR	A Series Regulator	Blank	Standard(0.9MPa)	Blank	Pressure gauge	Thread type		Scale	
BR	B Series Regulator	L	Lower pressure(0.4MPa)	N	No pressure gauge	Blank	PT	MPa or kgf/cm ² & psi	
Port size		Accessories		Scale		G	G	bar	
Series	Port size	Blank	Bracket	1	Mpa	T	NPT	psi	
AR	1500: 1/8"	J	No bracket	2	psi				
	2000: 1/4"								
BR	2000: 1/4"								
	3000: 3/8"								
	4000: 1/2"								

Specification

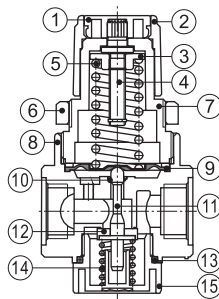
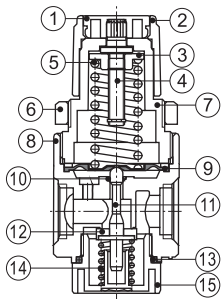
Model	AR1500	AR2000	BR2000	BR3000	BR4000
Fluid	Air				
Port size	PT1/8	PT1/4	PT1/4	PT3/8	PT1/2
Pressure range	0.05~0.9MPa(7~130psi)				
Max. pressure	1.0MPa(145psi)				
Proof pressure	1.5MPa(215psi)				
Temperature range	-5~70°C				
Weight	200g		230g		

① PT thread, G thread and NPT thread are available.

Inner structure and material of major parts

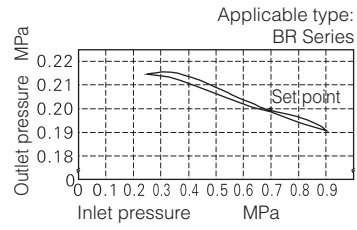
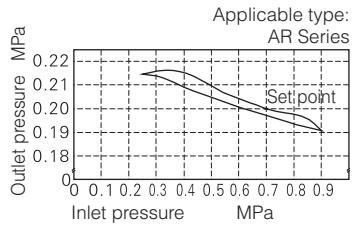
AR

BR

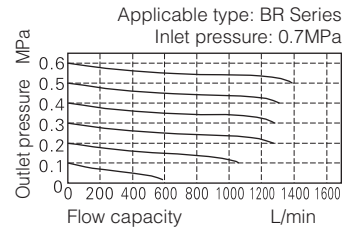
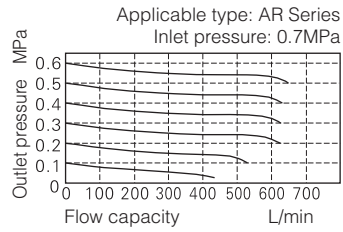


No.	Item	Material
1	Push button	POM
2	Adjusting button	POM
3	Adjusting nut	Steel
4	Adjusting pillar	Steel
5	Adjusting spring	SWC
6	Fixed ring	POM
7	Adjusting seat	POM
8	Body	Aluminum alloy
9	Diaphragm	SUS304 & rubber
10	Needle O-ring	NBR
11	Balance needle	POM
12	Needle gasket	Aluminum alloy & rubber
13	Cap O-ring	NBR
14	Return spring	Stainless steel
15	Regulator cap	POM

Pressure chart

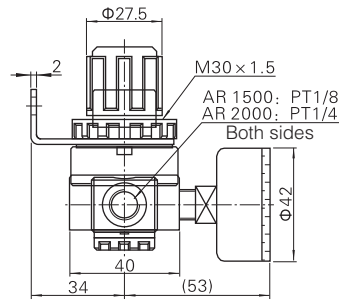
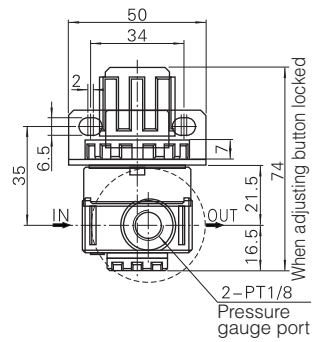


Flow chart



Dimensions

AR



BR

