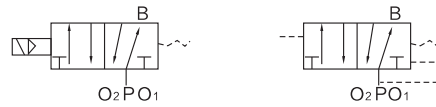


Symbol



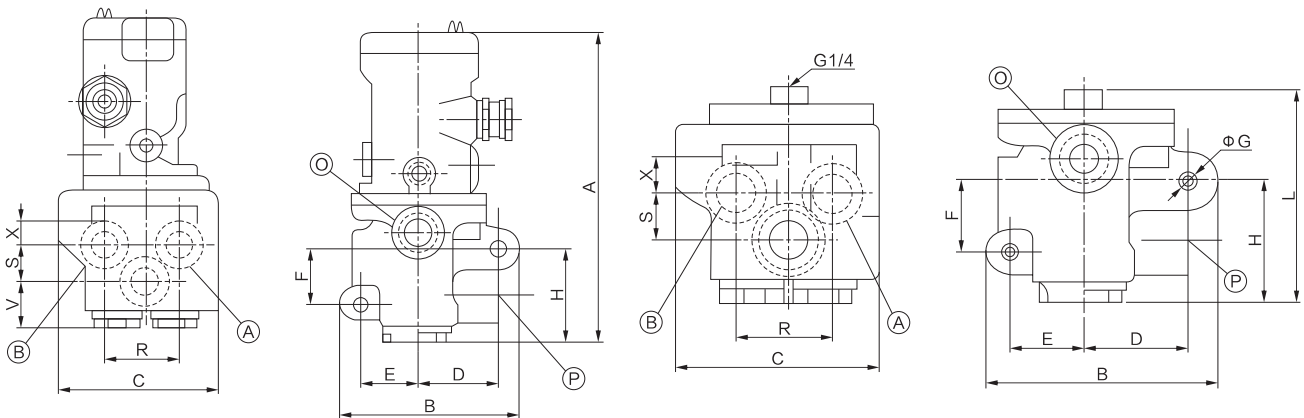
Ordering code

K25J		D	8	T	W
Model		Port size		Initial state	
Two position five way cut-off type reversing valve		8	G1/4"(M12×1.25)	Blank	Normal close
K25J		10	G3/8"(M16×1.5)	T	Normal open
Control mode				Wuxi type	
D Single electronic control					
		15	G1/2"(M20×1.5)		
		20	G3/4"(M27×2)		
		25	G1"(M33×2)		
		32	G1 1/4"(M42×2)		
		40	G1 1/2"(M48×2)		

Specifications

Model	K25JD-8W	K25JD-10W	K25JD-15W	K25JD-20W	K25JD-25W	K25JD-32W	K25JD-40W
Nominal diameter (mm)	8	10	15	20	25	32	40
Circulation capacity S value (mm ³)	20	35	60	120	190	300	400
Amount of leakage (cm ³ /min)	≤50	≤100		≤200		≤300	
Commutation time (s)	≤0.04	≤0.06		≤0.10		≤0.15	
Commutation frequency (Hz)	≥10	≥8		≥4		≥3	
Maximum use pressure	1.00MPa						
Minimum control pressure	0.3MPa						
Minimum working pressure	0.2MPa						
Supply voltage	AC: 380V, 220V, 110V, 36V; DC: 220V, 110V, 24V						
Working temperature	-5~50°C						
Life (1000 times)	≥1500						≥500

Dimensions



Model	Nominal diameter (mm)	Port size	A	B	C	D	E	F	ΦG	H	R	S	X	V	L	O
K25JD-15W	Φ8	G1/4"	180	99	94	45	32	31	10	55	44	19	16	28	90	G1/2
	Φ10	G3/8"														
	Φ15	G1/2"														
K25JD-25W	Φ20	G3/4"	222	127	142	52	47	52	10	78	58	21	19	42	132	G1
	Φ25	G1"														
K25JD-40W	Φ32	G1 1/4"	285	155	220	69	55	117	10	140	80	36	35	52	187	G2
	Φ40	G1 1/2"														