



Specification

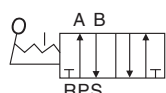
Model	TSV86522	TSV98322
Fluid	Air(to be filtered by 40 μm filter element)	
Operating	Manual control direct acting tupe	
Port size ①	G1/4	
Orifice size	18mm ² (Cv=1.00)	
Valve type	5/2 Way	3/2 Way
Lubrication ②	Not required	
Pressure range	0~1.0MPa(0~145psi)	
Proof pressure	1.5MPa(215psi)	
Temperature	-20~70°C	
Material body	Aluminum alloy	

① PT thread, G thread and NPT thread are available.

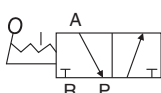
② Once lubricated air is used, continue with same medium to optimise valve life span. It is suggested to use ISO VG32 or the oil with the same grade.

Symbol

TSV86522



TSV98322



Ordering code

TSV86

52

08

M

Model
TSV86
TSV98

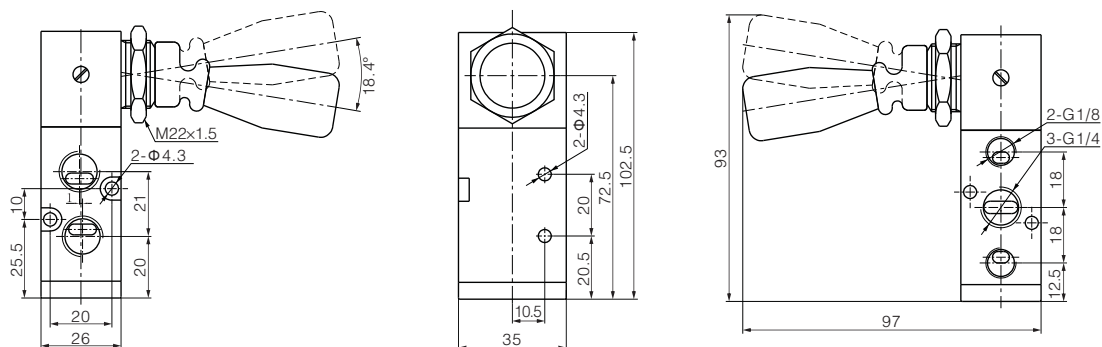
Valve type
52 5/2 Way
32 3/2 Way

Port size
1 G1/8
2 G1/4

Code
M Mechanical locking type
S Spring automatic reset type

Dimensions

TSV86522



TVS98322

