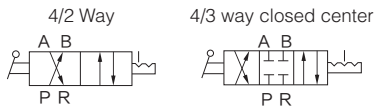




Specification

Model	K24R8-L8	K34R8-L8	K24R8-L8D	K34R8-L8D	K24R8-L8S	K34R8-L8S
Fluid	Air (to be filtered by 40 μm filter element)					
Operating	Manual control					
Port size	In=Out=PT1/4					
Pressure range	0.15~0.8MPa(21~114psi)					
Valve type	4/2 Way	4/3 Way	4/2 Way	4/3 Way	4/2 Way	4/3 Way
Temperature	-10~60°C					
Proof pressure	1.5MPa(215psi)					

Symbol

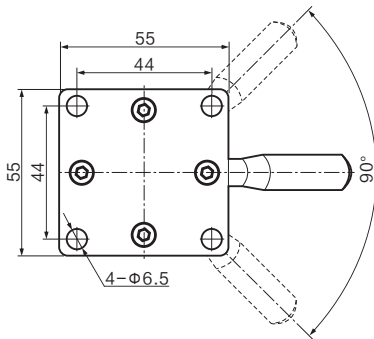


Ordering code

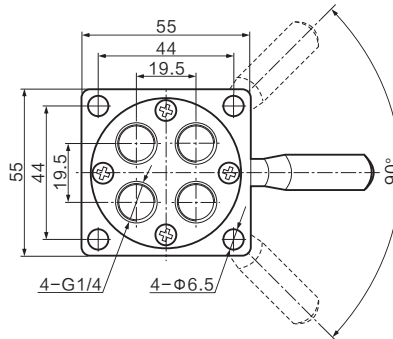
K	24	R6	02	D
Model		Function code		Take over type
K Hand lever valve		R8 Hand lever valve		Blank Both sides interface
		L8 Take over type		D Bottom take over
Valve type		Port size		S Four side take over
24 4/2 Way		L8 G1/4		
34 4/3 Way				

Dimensions

K34R6-8



K34R6-8D



K34R6-8S

