

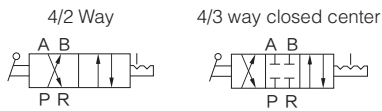


### Specifications

Model	HV200A-02	HV230A-02	HV200B-02	HV230B-02
Fluid	Air (to be filtered by 40 μm filter element)			
Operating	Manual control			
Port size ①	In=Out=PT1/4			
Pressure range	0.15~0.8MPa(21~114psi)			
Valve type	4/2 Way	4/3 Way	4/2 Way	4/3 Way
Temperature	-10~60°C			
Proof pressure	1.5MPa(215psi)			

Model	HV300-02	HV330-02	HV300-03	HV330-03	HV300-04	HV330-04
Fluid	Air (to be filtered by 40 μm filter element)					
Operating	Manual control					
Port size ①	PT1/4	PT1/4	PT3/8	PT3/8	PT1/2	PT1/2
Pressure range	0.15~0.8MPa(21~114psi)					
Valve type	4/2 Way	4/3 Way	4/2 Way	4/3 Way	4/2 Way	4/3 Way
Temperature	-10~60°C					
Proof pressure	1.5MPa(215psi)					

### Symbol

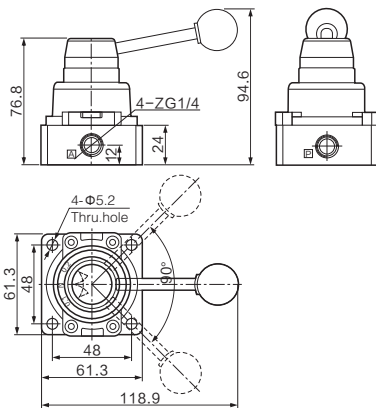


### Ordering code

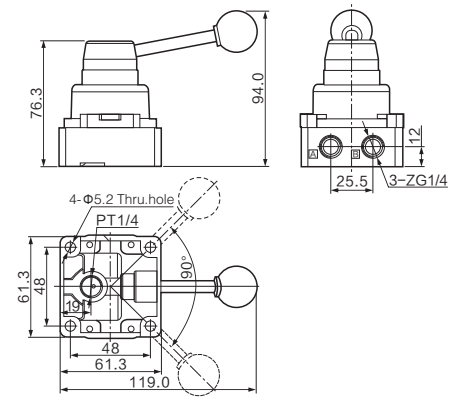
Model	Code	Valve type	Function code	Port size	Handle type
HV   Hand lever valve	2   200 Series 3   300 Series	00   4/2 Way 30   4/3 Way	Blank   Basic type four side interface A   Bottom interface B   Both sides interface	02   PT1/4 03   PT3/8 04   PT1/2	Blank   Iron handle P   Plastic handle

### Dimensions

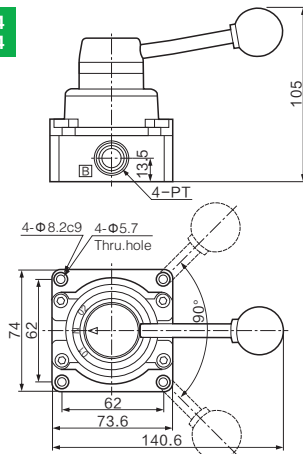
#### HV200A-02



#### HV200B-02



#### HV300-02/03/04 HV330-02/03/04



#### HV300-02/03/04-P HV330-02/03/04-P

