



Product feature

Protection degree is Ip67,
these valves can be supplied with manual operation.

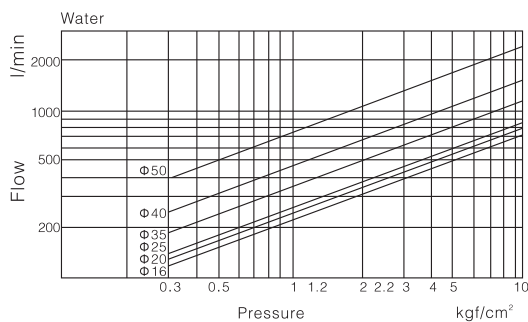
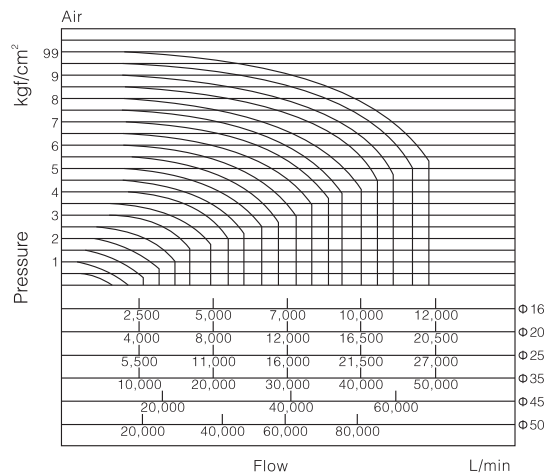
Specifications

Model	2W160-10	2W160-15	2W200-20	2W250-25	2W350-35	2W400-40	2W500-50
Work medium	Air, Water, Oil, Gas						
Operation	Direct Acting						
Acting type	Normally Closed						
Orifice size(mm)	16	20	25	35	40	50	
Cv value	4.8	4.8	12	24	29	48	
Port size	G3/8"	G1/2"	G3/4"	G1"	G1 1/4"	G1 1/2"	G2"
Operation fluid viscosity	20 CST Below						
Operating perssure	Air: 0~1.0MPa; Water: 0~0.7MPa; Oil: 0~0.9MPa						
Max. pressure resistance	1.0MPa(Normal open type max. pressure 0.8MPa)						
Operating temperature	NBR for -5~80℃ and VITON for -5~150℃						
Voltage range	± 10%						
Material of boby	Brass						
Material of oil seal	NBR or VITON						

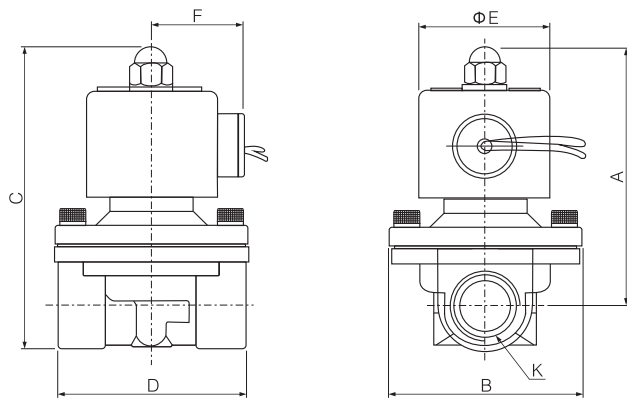
Ordering code

2W		160		15		A		E		AC110V	
Model		Orifice size		Port size		Coil form		Sealing material		Standard voltage	
2W	2/2 Way solenoid valve	160	16mm	10	G3/8"	A	Waterproof coil	Blank	NBR	DC12V	
		160	16mm	15	G1/2"	Blank	Round coil	E	EPDM	DC24V	
		200	20mm	20	G3/4"	S	Square coil IP65	V	VITON	AC24V	50Hz/60Hz
		250	25mm	25	G1"	H	Manual	S	SI	AC110V	50Hz/60Hz
		350	35mm	35	G1 1/4"	NO	Normally open			AC220V	50Hz/60Hz
		400	40mm	40	G1 1/2"	NC	Normally close			AC380V	50Hz/60Hz
		500	50mm	50	G2"	Z	EX-proof				

Flow chart



Dimensions



Model	A	B	C	D	K
2W160-10	90	56	103	66	G3/8"
2W160-10-NO	112		125		
2W160-15	90	56	103	66	G1/2"
2W160-15-NO	112		125		
2W200-20	94	56	110	73	G3/4"
2W200-20-NO	116		132		
2W250-25	98	73	117	99	G1"
2W250-25-NO	120		139		
2W350-35	135	93	160	118	G1 1/4"
2W350-35-NO	155		180		
2W400-40	135	93	160	118	G1 1/2"
2W400-40-NO	155		180		
2W500-50	153	124	188	160	G2"
2W500-50-NO	174		209		