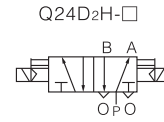
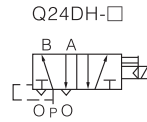


Symbol



Ordering code

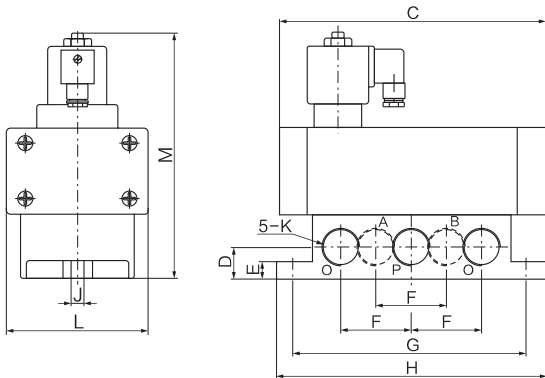
Q24		D	H	8
Model		Control mode		Port size
Q24	Two position four way sliding column type reversing valve	D	Single electronic control	6 G1/8"(M10×1)
		D ₂	Double electronic control	8 G1/4"(M12×1.25)
		Q	Single air control	10 G3/8"(M16×1.5)
		Q ₂	Double air control	15 G1/2"(M20×1.5)
		Structure mode		
		H Sliding column type		

Specifications

Model	Q24DH-6 Q24D ₂ H-6	Q24QH-6 Q24Q ₂ H-6	Q24DH-8 Q24D ₂ H-8	Q24QH-8 Q24Q ₂ H-8	Q24DH-10 Q24D ₂ H-10	Q24QH-10 Q24Q ₂ H-10	Q24DH-15 Q24D ₂ H-15	Q24QH-15 Q24Q ₂ H-15
Nominal diameter (mm)	6		8		10		20	
Working pressure range	0.2~1.8MPa							
Commutation time (s)	0.1							
Ambient temperature	-5~55℃							
Medium temperature	0~5℃							
Supply voltage	Electronic control AC: 220V, 36V DC: 48V, 24V, 12V Voltage fluctuation allowed for the rated value +10%~-15% Air control without this parameter							
Life (1000 times)	≥ 1500							

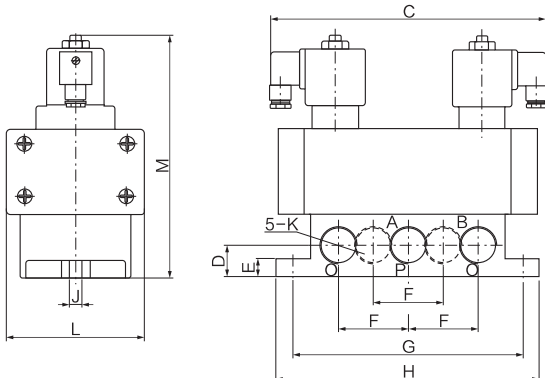
Dimensions

Q24DH-□



Model	Port size	C	D	E	F	G	H	M	J	L
Q24DH-6 Square head	G1/8"	129	12	10	24	94	115	126	9	50
Q24DH-8 Square head	G1/4"									
Q24DH-10 Square head	G3/8"									
Q24DH-15 Square head	G1/2"	164	17	12	36	132	156	160	9	60
Q24DH-6 Round head	G1/8"	133	12	10	24	94	115	131	9	50
Q24DH-8 Round head	G1/4"									
Q24DH-10 Round head	G3/8"									
Q24DH-15 Round head	G1/2"	176	17	12	36	202	156	153	9	60

Q24D₂H-□



Model	Port size	C	D	E	F	G	H	M	J	L
Q24D ₂ H-6 Square head	G1/8"	161	12	10	24	94	115	126	9	50
Q24D ₂ H-8 Square head	G1/4"									
Q24D ₂ H-10 Square head	G3/8"									
Q24D ₂ H-15 Square head	G1/2"	170	17	12	36	132	156	160	9	60
Q24D ₂ H-6 Round head	G1/8"	133	12	10	24	94	115	131	9	50
Q24D ₂ H-8 Round head	G1/4"									
Q24D ₂ H-10 Round head	G3/8"									
Q24D ₂ H-15 Round head	G1/2"	176	17	12	36	202	156	153	9	60