



MSV86522EB



MSV86522LB



MSV86522TB



MSV86522PP



MSV86522PPL



MSV86522PB



MSV86522R



MSV98322EB



MSV98322LB



MSV98322TB



MSV98322PP



MSV98322PPL



MSV98322PB



MSV98322R

### Ordering code

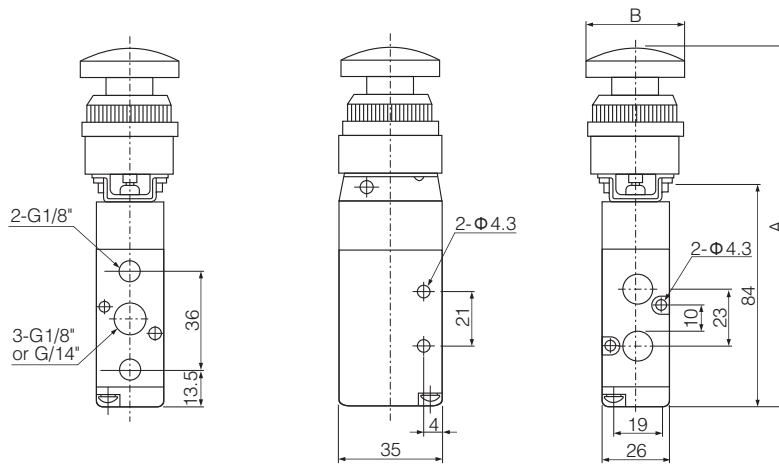
MSV		86		32		1		R	
Model		Code		Valve type		Port size		Button type	
MSV	Mechanical valve	86	86 Series	32	Two-position Three-way	1	G 1/8"	Blank	Basic type
		98	98 Series	52	Two-position Five-way	2	G 1/4"	R	Roller type
								TB	Selective knob
								LB	Strengthened knob
								PB	Large round button
								PP	Plat round button
								PPL	Convex round button
								EB	With lock button

### Specifications

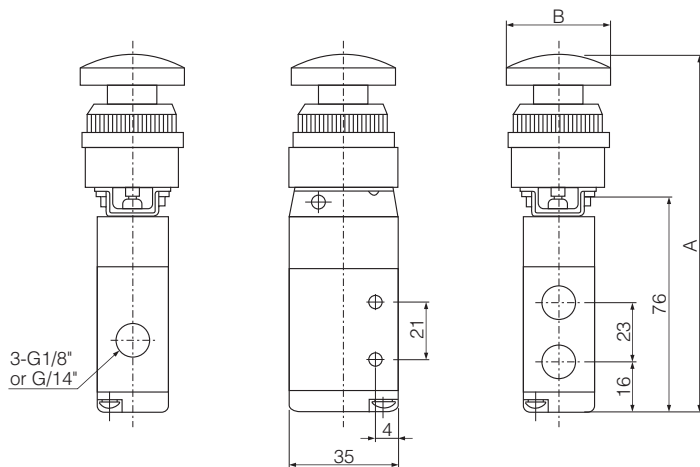
Model	MSV86321	MSV86522	MSV98322
Working medium	40 Micron filtered air		
Position and way number	Two-position three-way	Two-position five-way	Two-position three-way
Pressure range	0~0.8MPa	0~0.8MPa	0~0.8MPa
Temperature range	0~60°C		
Effective section area	12mm <sup>2</sup> (CV=0.67)	16mm <sup>2</sup> (CV=0.89)	16mm <sup>2</sup> (CV=0.89)
Port size	G1/8"	G1/4"	G1/4"

### Dimensions

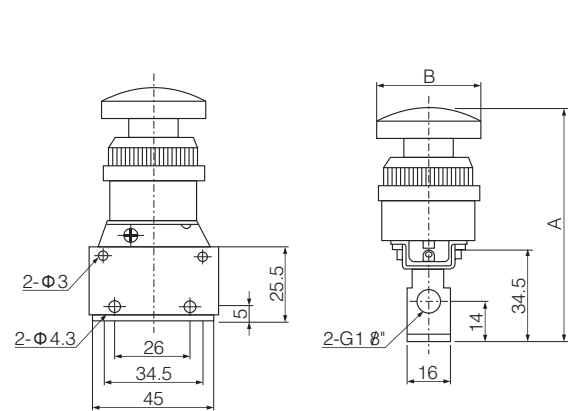
#### MSV86522



#### MSV98322



#### MSV86321



Model	Symbol/Model	PP	PPL	LB	TB	EB	PB	R
MSV86522	A	114	119	133	136.5	134	131	107.5
	B	39.5	24.5	26.5	36.5	39.5	37.5	42.5
MSV98322	A	106	111	125	129.5	126	123	99.5
	B	39.5	24.5	26.5	36.5	39.5	37.5	42.5
MSV86321	A	66	71	85	88.5	86	83	59.5
	B	39.5	24.5	26.5	36.5	39.5	37.5	42.5

#### PPL

#### PP

#### PPL

#### TB

#### LB

#### PB

#### EB

#### R

