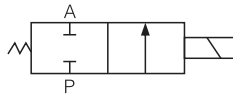




### Symbol



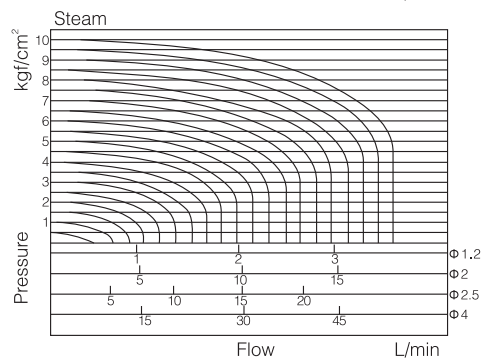
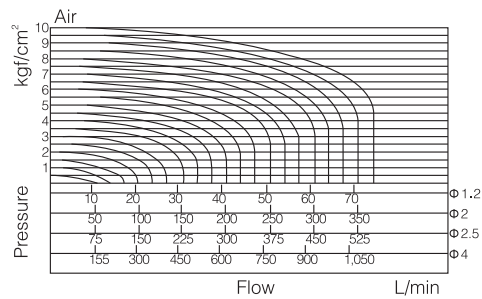
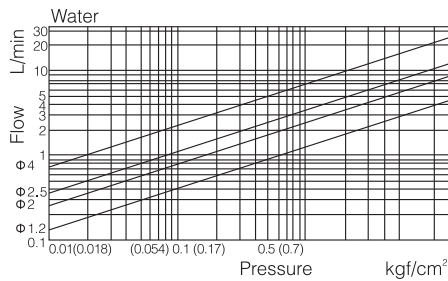
### Specifications

Model	2W025-06	2W025-08	2W040-10	2WH012-06	2WH012-08	2WH020-10
Work medium	Air, Water, Oil, Gas					
Operation	Direct Acting					
Acting type	Normally Closed					
Orifice size(mm)	2.5	4	1.2	2		
Cv value	0.23	0.60	0.05	0.15		
Port size	G1/8"	G1/4"	G3/8"	G1/8"	G1/4"	G3/8"
Operation fluid viscosity	20 CST Below					
Operating pressure	Air, Water, Oil, Gas: 0~0.7MPa			Air, Water, Oil: 0~2.0MPa		
Max. pressure resistance	1.0MPa			3.5MPa		
Operating temperature	NBR for -5~80°C and VITON for -5~150°C					
Voltage range	± 10%					
Material of body	Stainless steel or brass					
Material of oil seal	NBR, EPDM or VITON					

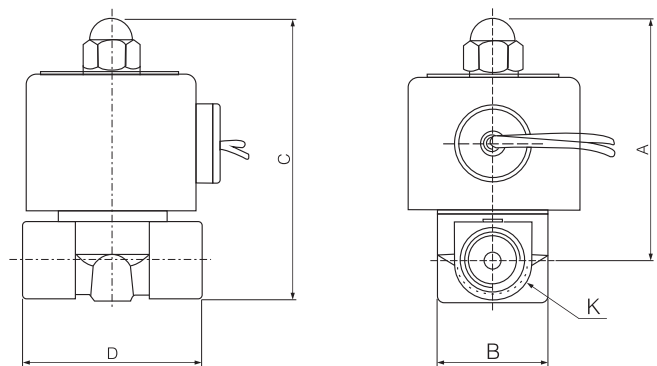
### Ordering code

2W		025		08		B		S		E		AC110V	
Model		Orifice size		Port size		Material of body		Coil form		Sealing material		Standard voltage	
2W	2/2 Way direct acting	012	1.2mm	06	G1/8"	Blank	Brass	Blank	Round coil	Blank	NBR	DC12V	
2WH	2/2 Way solenoid valve for high pressures	020	2mm	08	G1/4"	B	Stainless steel	S	Square coil IP65	E	EPDM	DC24V	
		025	2.5mm	10	G3/8"					V	VITON	AC24V	50Hz/60Hz
		040	4mm							S	SI	AC110V	50Hz/60Hz
												AC220V	50Hz/60Hz
												AC380V	50Hz/60Hz

### Flow chart



### Dimensions



### Dimension sheet

Model	A	B	C	D	K
2W025-06	62.5	30	71.5	40.5	G1/8"
2W025-08	62.5	30	71.5	40.5	G1/4"
2W040-10	70	32	80	55	G3/8"
2WH012-06	62.5	30.3	71.5	40.5	G1/8"
2WH012-08	62.5	30.3	71.5	40.5	G1/4"
2WH020-10	70	32.2	80	52.5	G3/8"